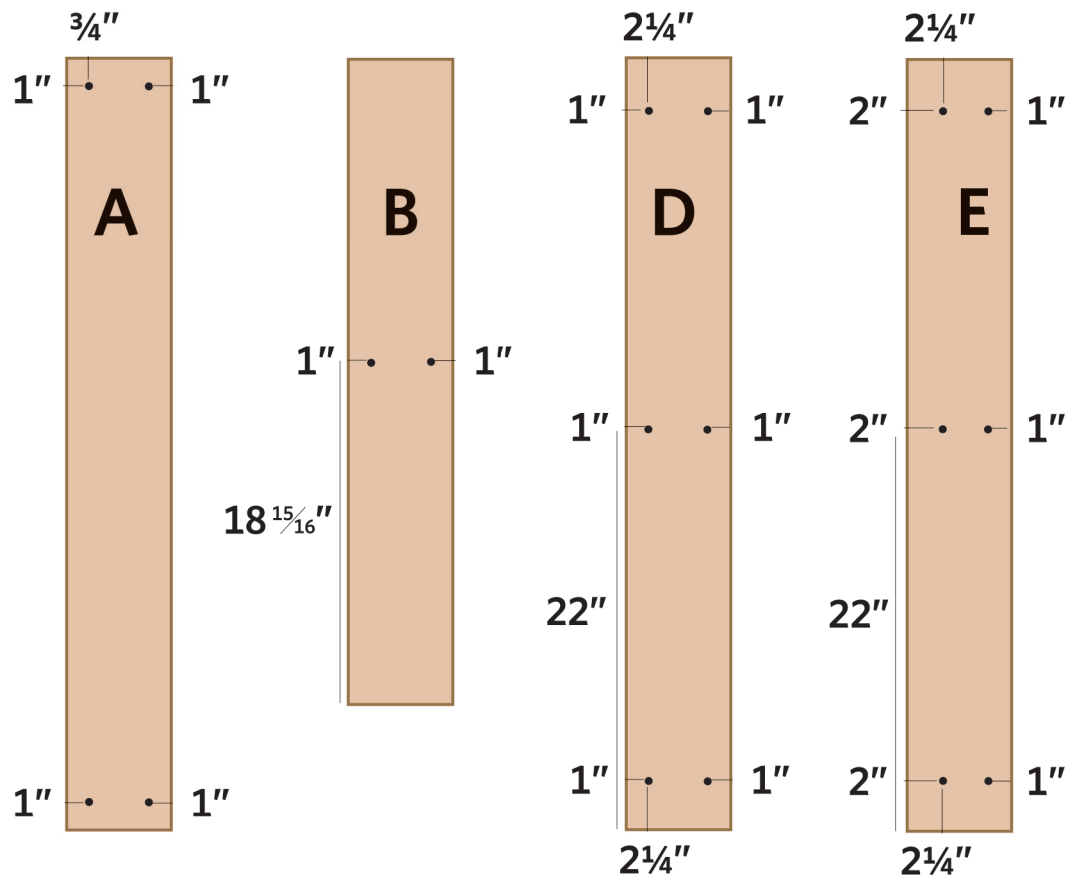


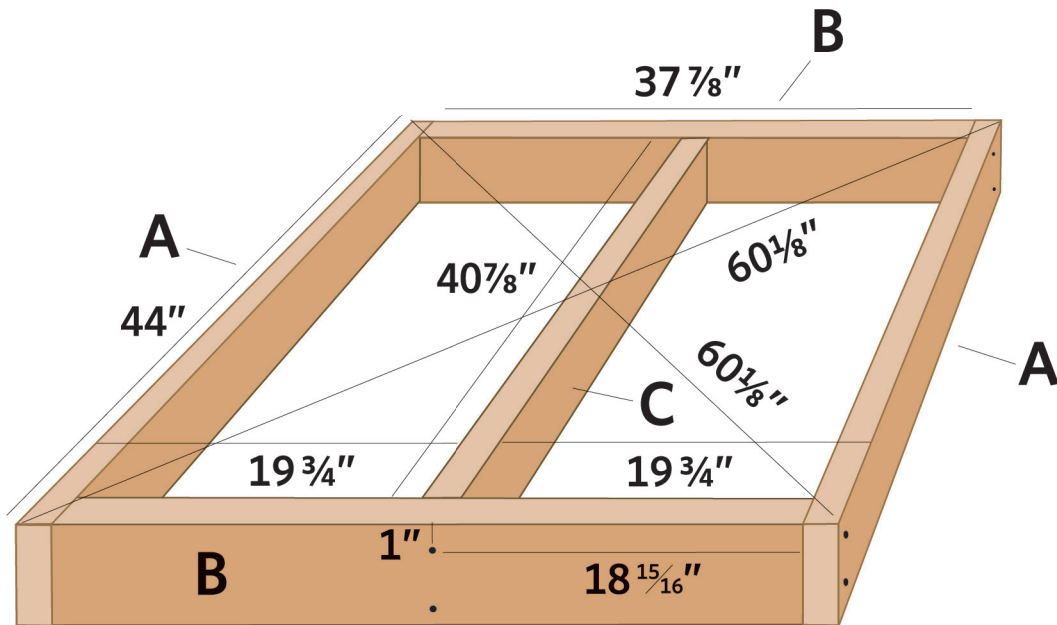
FIGURE A

1 From the 2 by 6 boards, cut the following lengths:

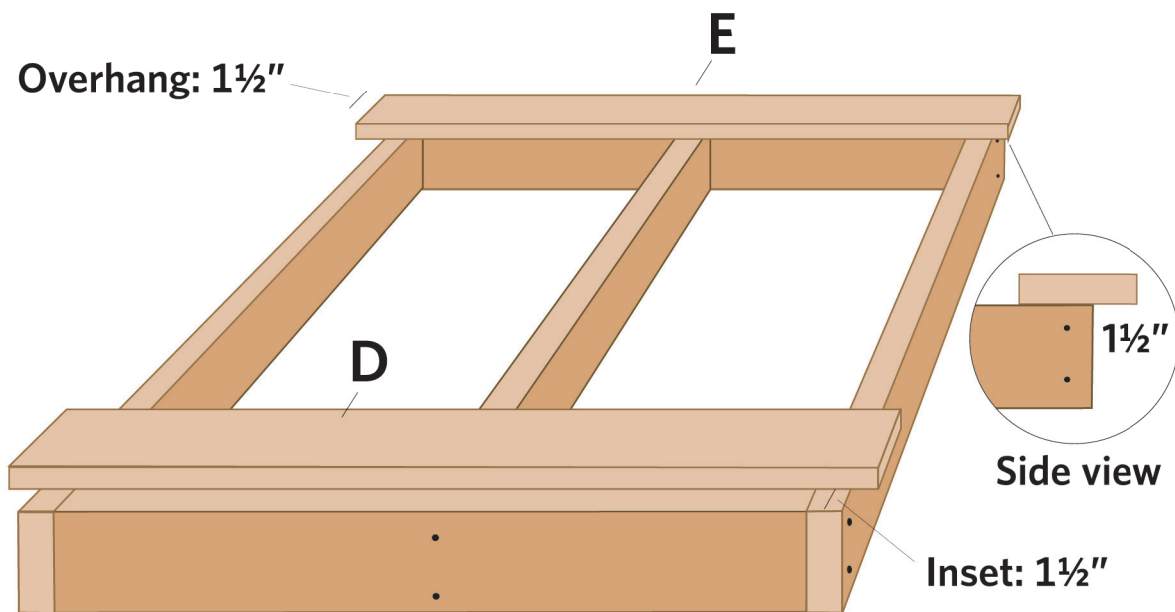
- eight 44-inch lengths; label them A
- eight $37\frac{7}{8}$ -inch lengths; label them B
- four $40\frac{7}{8}$ -inch lengths; label them C

From the $\frac{5}{4}$ by 6 boards, cut 32 (44-inch) lengths. Label 4 of them D and 4 of them E. Leave the rest unlabeled.

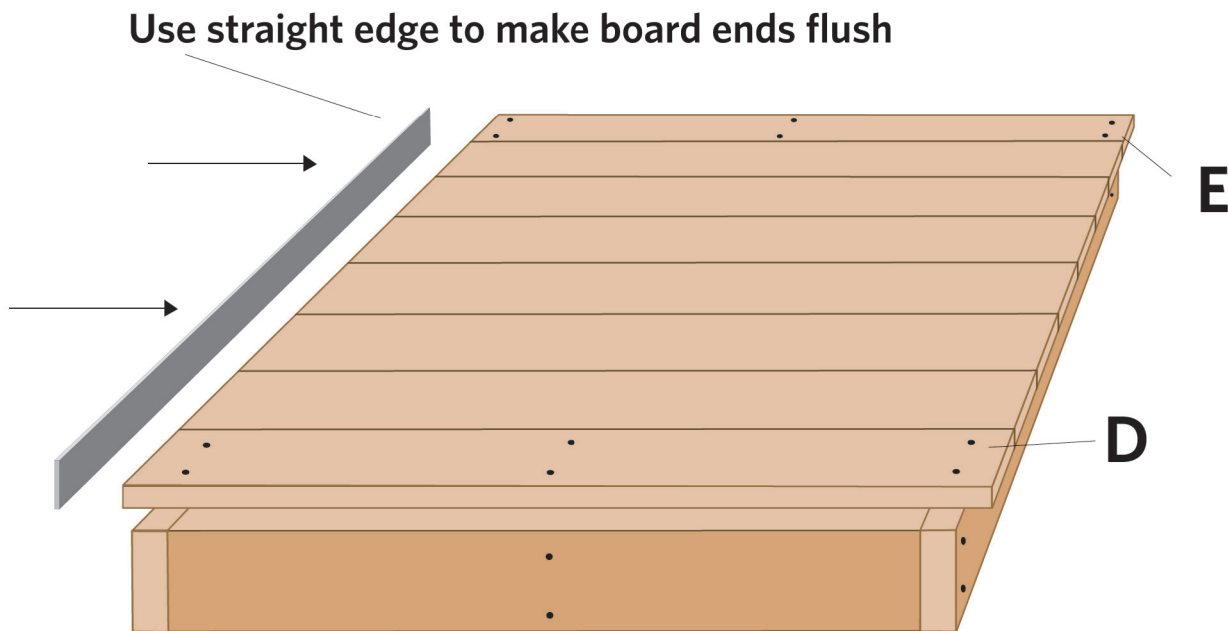
2 Predrill screw holes in the labeled boards as specified in figure A.

FIGURE B

- 3 Assemble each of the four frames as shown in figure B.
- 4 One at a time, make sure each frame is square by setting it on a flat surface and measuring diagonally from corner to corner both ways (each diagonal should measure about $60\frac{1}{8}$ inches). Hold one corner and push or pull the opposite one until you get it right, loosening the screws slightly to do so if necessary.

FIGURE C

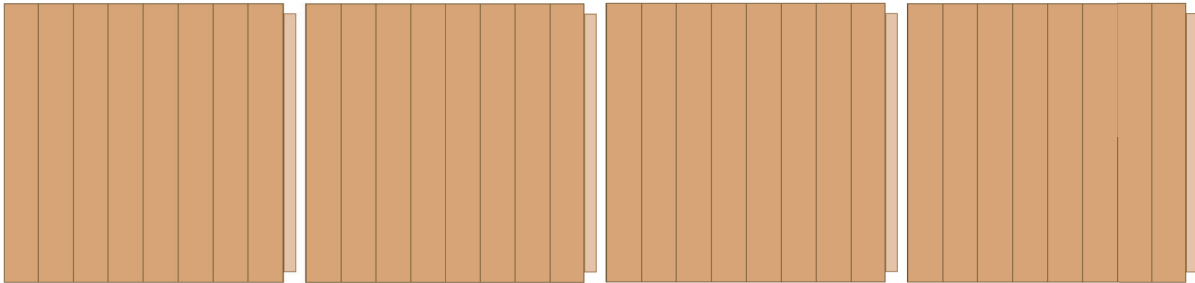
- 5 Screw a D board to the frame, stepping it in from the edge 1 1/2 inches, as shown in figure C. Then screw an E board in place so that it overhangs the frame 1 1/2 inches on the opposite side. (As a check, the distance between the outer edges of the two boards should be 44 inches.)

FIGURE D

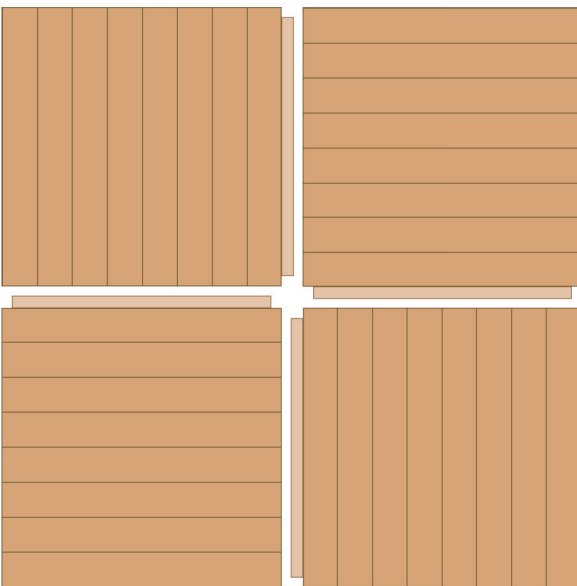
- 6 Fill in the space between boards D and E with 6 unlabeled boards, spacing them evenly (about $\frac{1}{8}$ inch apart), and flushing up the cut ends with a straight edge (figure D). Pre-drill holes in the unattached boards, using a straight edge to line them up with the screws in the D and E boards. Screw the boards in place and smooth over the decking edges with sandpaper.

FIGURE E

Arrange in a straight row as a catwalk

**FIGURE F**

Arrange in a square as an activity platform



7 Assemble the stage on level ground by fitting the four pieces together as shown in figure E or F. For extra stability, you can fasten them together where they overlap, predrilling the holes first.