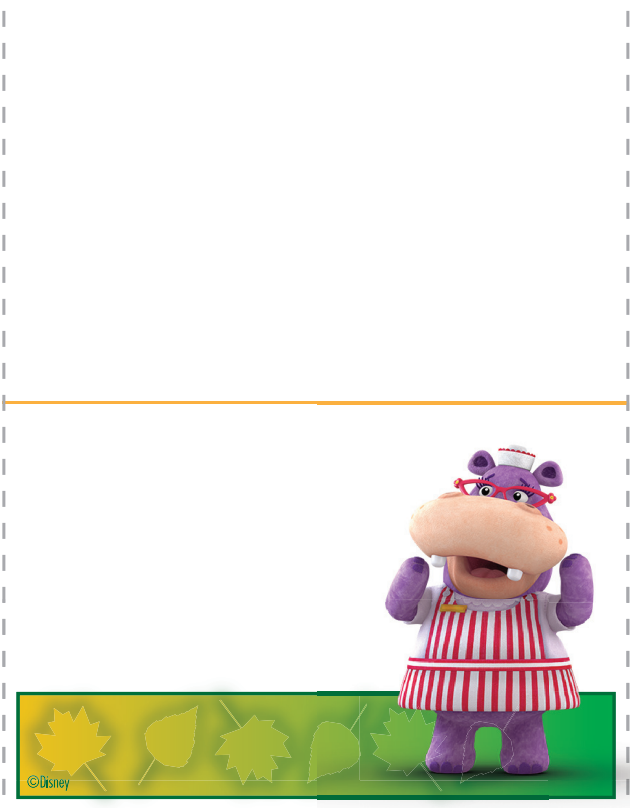
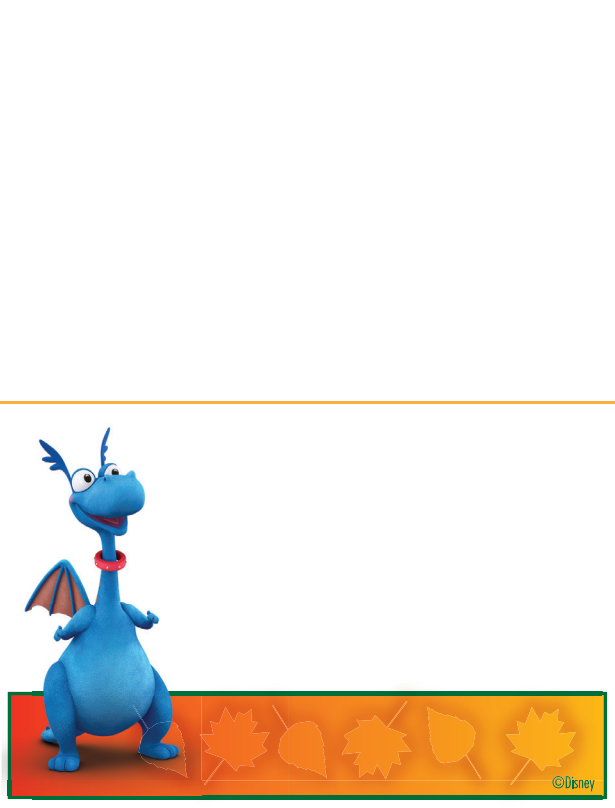
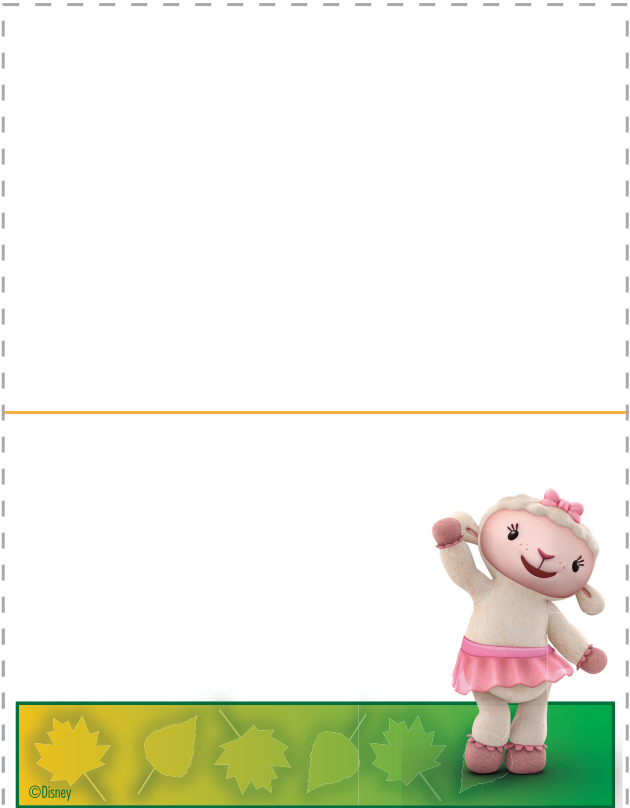
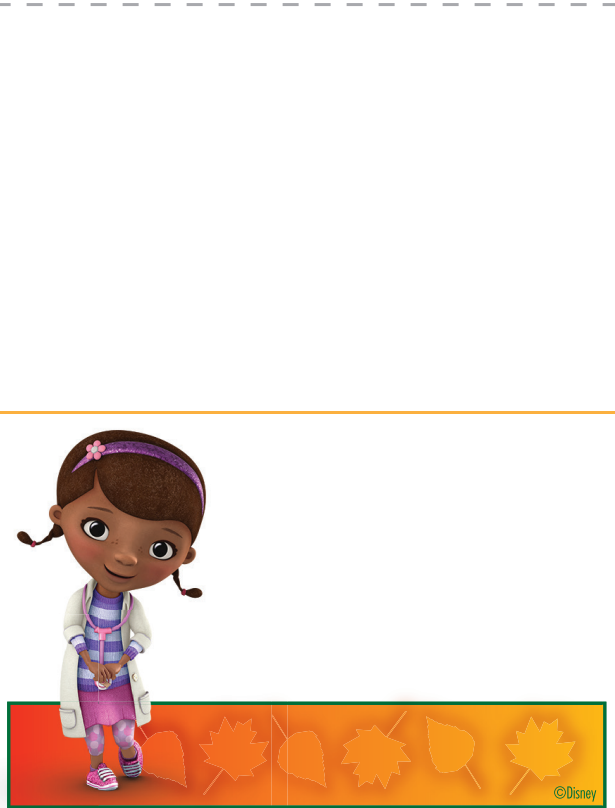


Here is a fun way to set your Thanksgiving Day table for your feast!

You will need: color printer, heavyweight paper, cutting tools and a something to write with. Cutting is intended for grown-ups only.

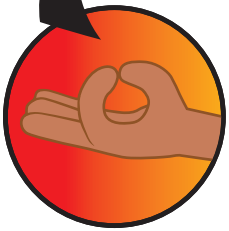
Step 1: Print out this sheet of place cards on a color printer. **Step 2:** Cut out the place cards along the dotted lines and fold in half along the gold line. **Step 3:** Write in the name of each guest on the front next to the Disney characters.



Help Set The Table!

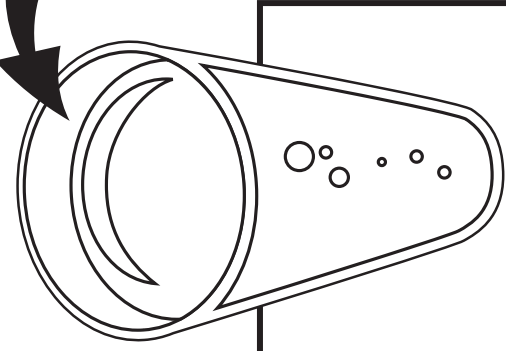
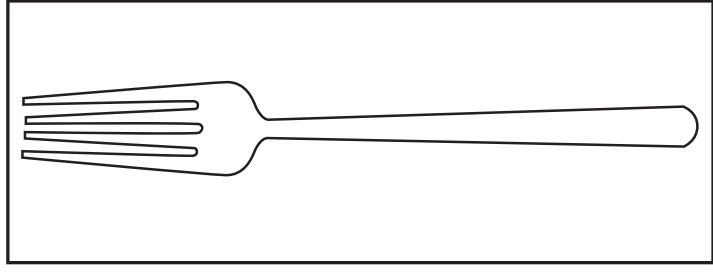
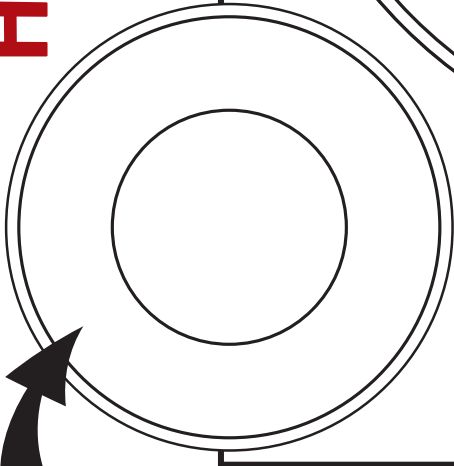
PARENTS:

Ask your child to help set the table before your celebration. Below is a guideline on how to do it properly.



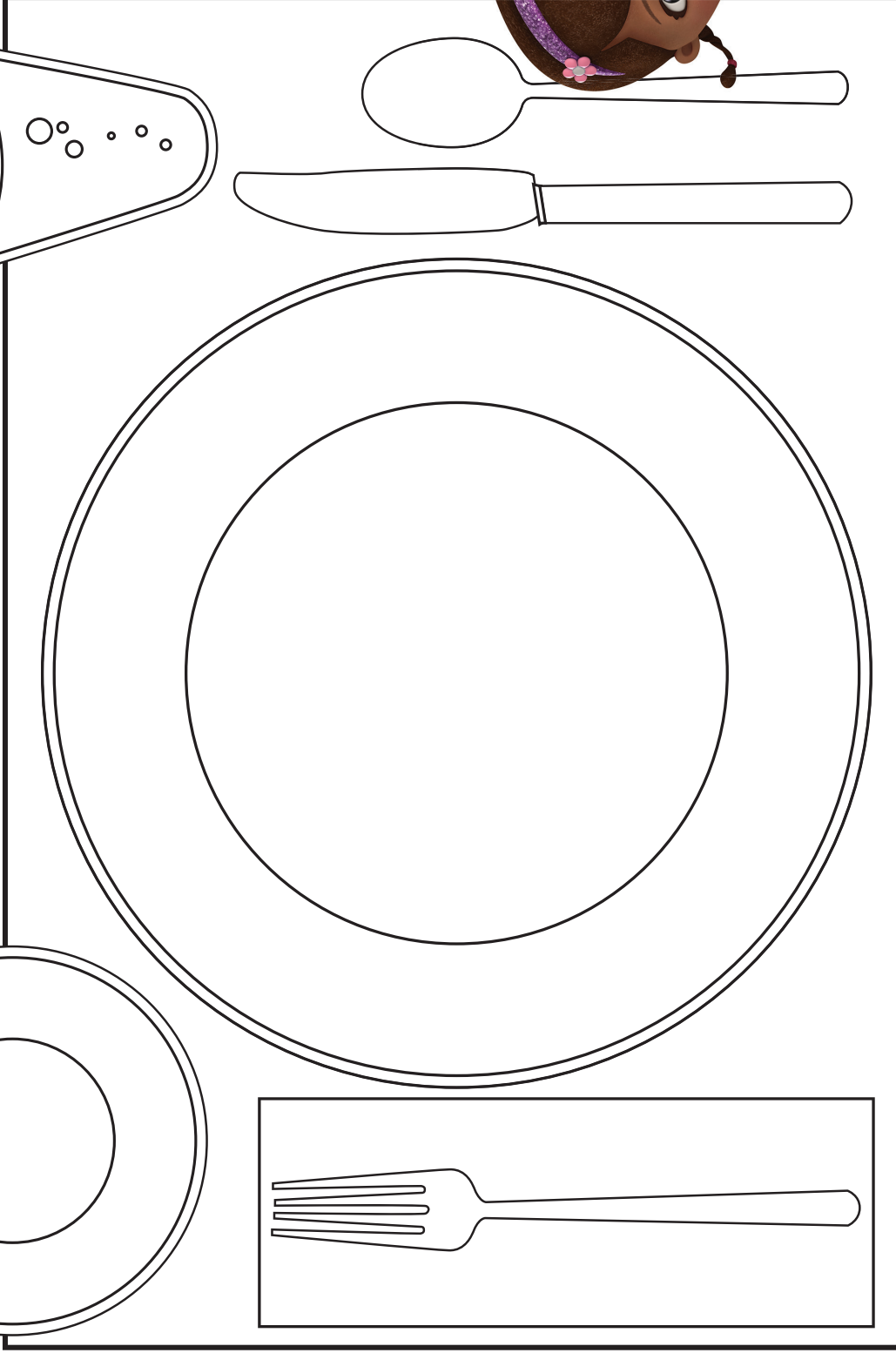
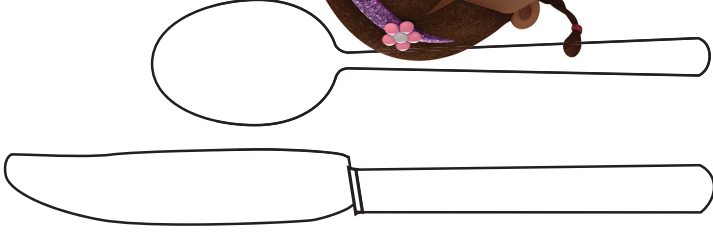
b

is for bread!
Put your
bread plate
on the left
above your
fork.

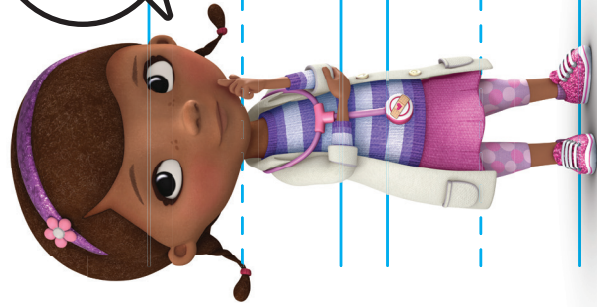


d

is for drink!
Put your
drinking glass
on the right
above your
knife and
spoon.



What are you thankful for?



PARENTS: Encourage your child to draw a picture and write down what they are "thankful for" this year.



Thanksgiving 2012

