

Disney  
**TEEN  
BEACH  
MOVIE**

**DISNEYCHANNEL.COM/  
TEENBEACHMOVIE**



**ORIGAMI WRENCH**



## SUPPLIES

- **SCISSORS**  
*\*Cutting is intended for grown-ups only.*
- **PAPER**
- **COLOR PRINTER**

## TIPS

- **Customize the wrench by drawing in the details.**



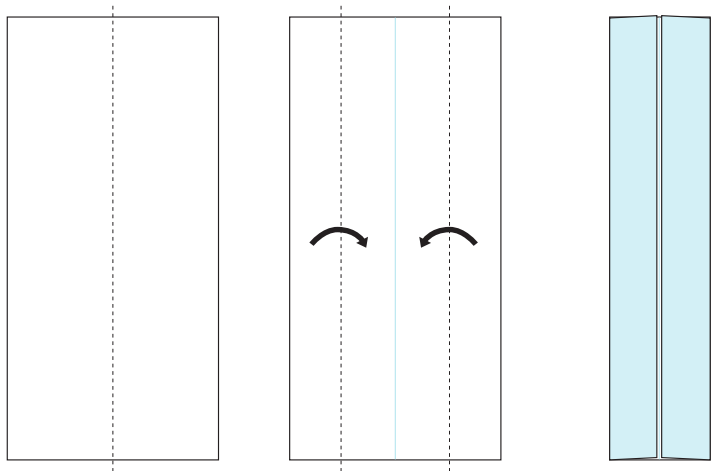
Carefully Cut Here 



Carefully Cut Here 

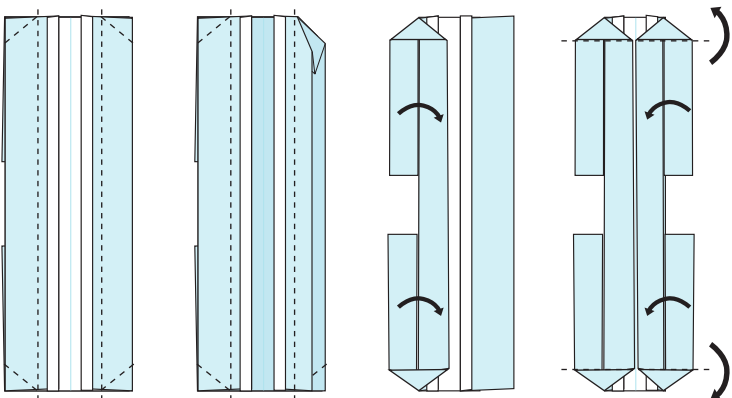
# STEP 1

Cut each piece of paper along the dotted line. With color side facing down, fold the paper down the center, then unfold. Next, fold both edges to touch the center crease.



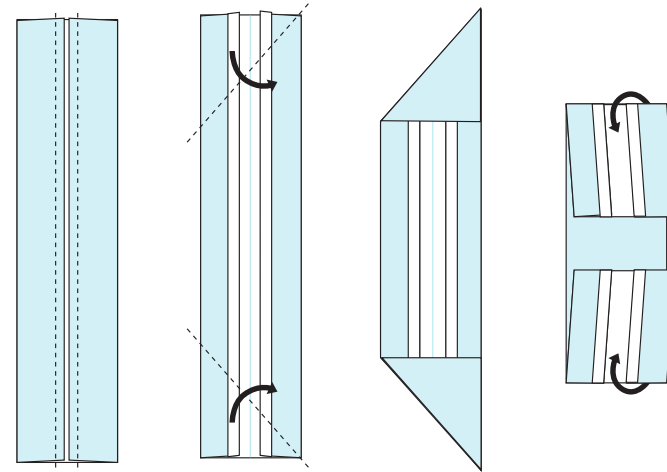
# STEP 3

Flip back over. Tuck each corner between the top and bottom folds as shown. This will create two thin flaps. Fold the flaps vertically toward the center. This should create two triangle shapes at the top and bottom. Using the long side of the triangles as a guide, fold the back flaps back up.



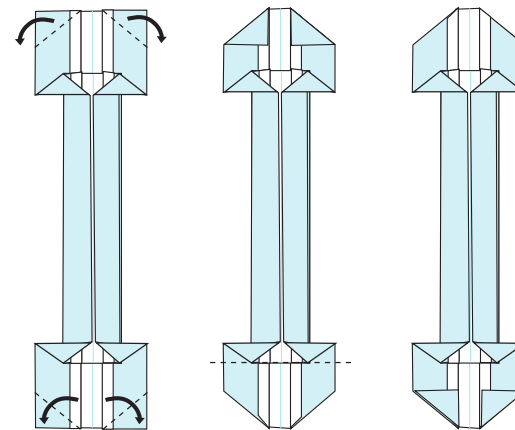
# STEP 2

Fold each flap 1/8 inch back from the center as shown. Next, fold the left corners at top and bottom so they line up with the outside edge on the right side. Unfold. Flip paper over and fold the top and bottom down at the base of each diagonal crease.



# STEP 4

Fold each corner down as shown, then unfold. At each corner open the fold slightly and press each corner into the middle of the paper. Then flip your paper over.



# STEP 5

Each side of the wrench should have two flaps. On each side, fold the top flap down as shown, and then fold each flap halfway back to form the notch in the wrench. Congrats! You're done!

